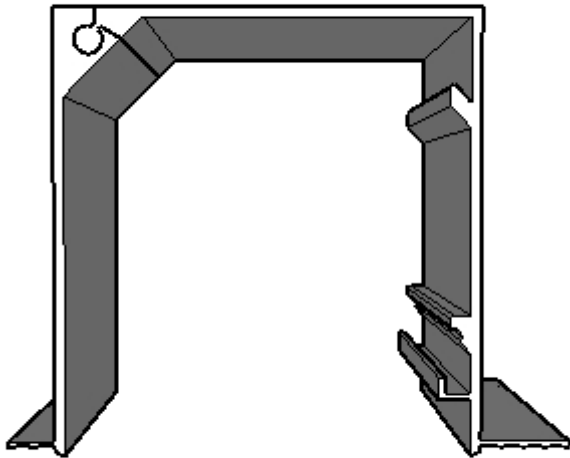


Perfect Fit Mud In Pocket Instructions

Congratulations on your purchase of a specialty system from DEL Motorized Solutions.
If you have any questions, please call technical support at 1-866-446-6867
or email us at info@motorizedsolutions.com

PerfectFit



Important Notes - Please Read Before Installing

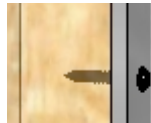


CAUTION: RISK OF FALLING OBJECTS

Securely install the system per the mounting instructions. Failure to do so could result in injury.



All mounting surfaces must be level.



Perfect Fit and hardware are to be anchored into wood blocking. If wood blocking is not available, you must use appropriate fasteners (not included) to support the weight of the system and load.

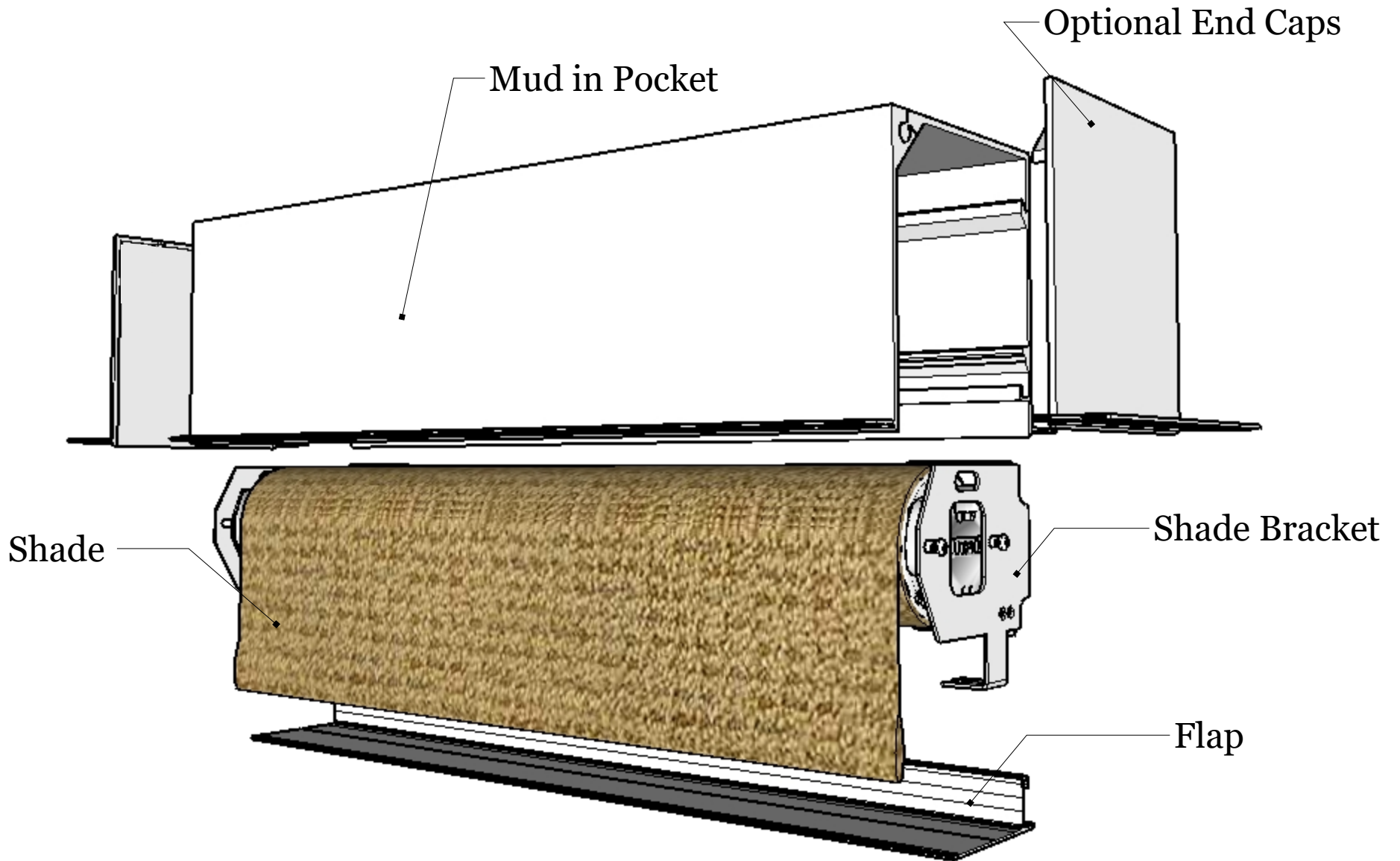


Pre-drill all holes with the appropriate size bit.

TOOLS REQUIRED

Pencil, Tape Measure, Powered Screwdriver, Drill, Level, Rasp, Drill bits.

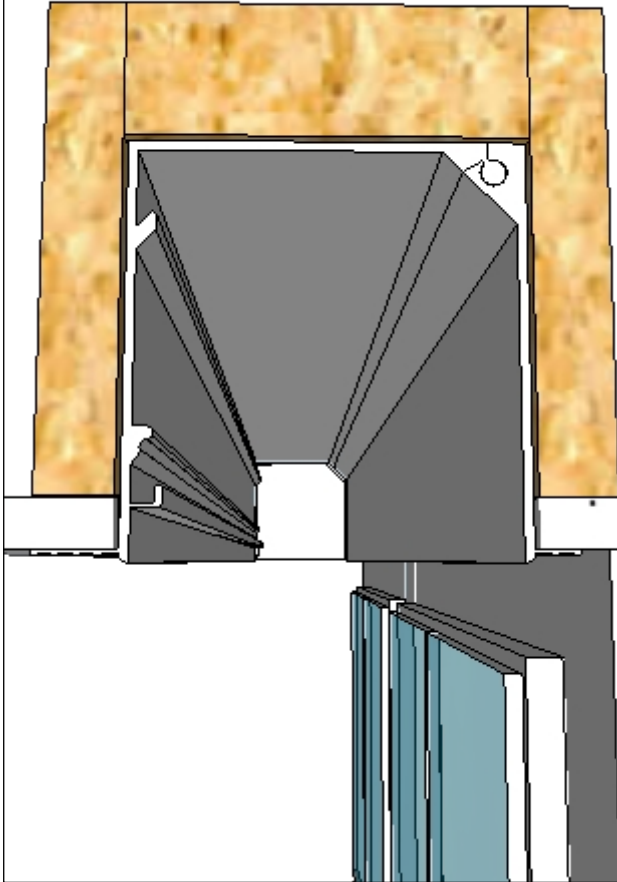
Mud in Pocket Exploded View



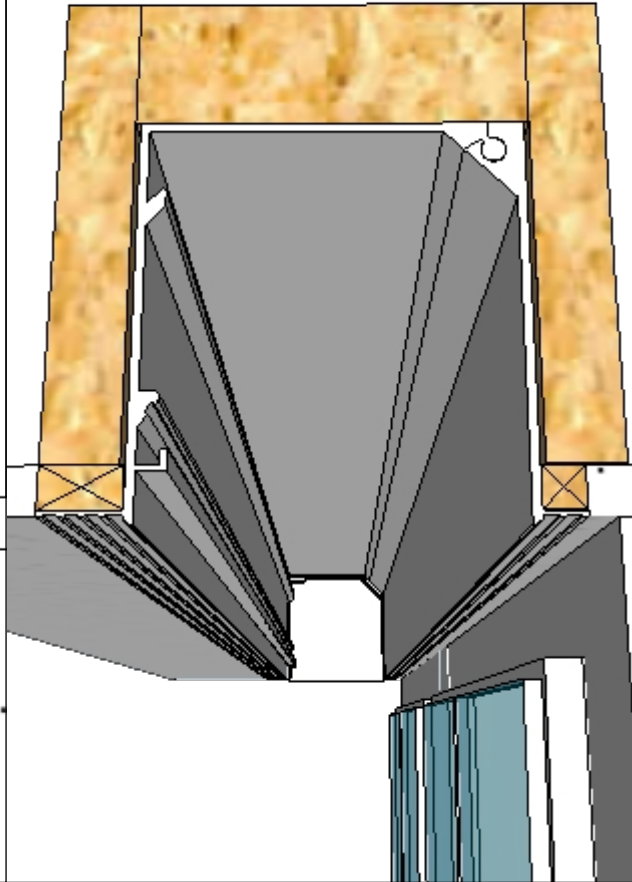
Step 1. Determine Your Construction Method

There are three methods to preparing the drywall and framing for Mud in Pocket.
Although all three methods are acceptable, Option 1. is the most widely used.

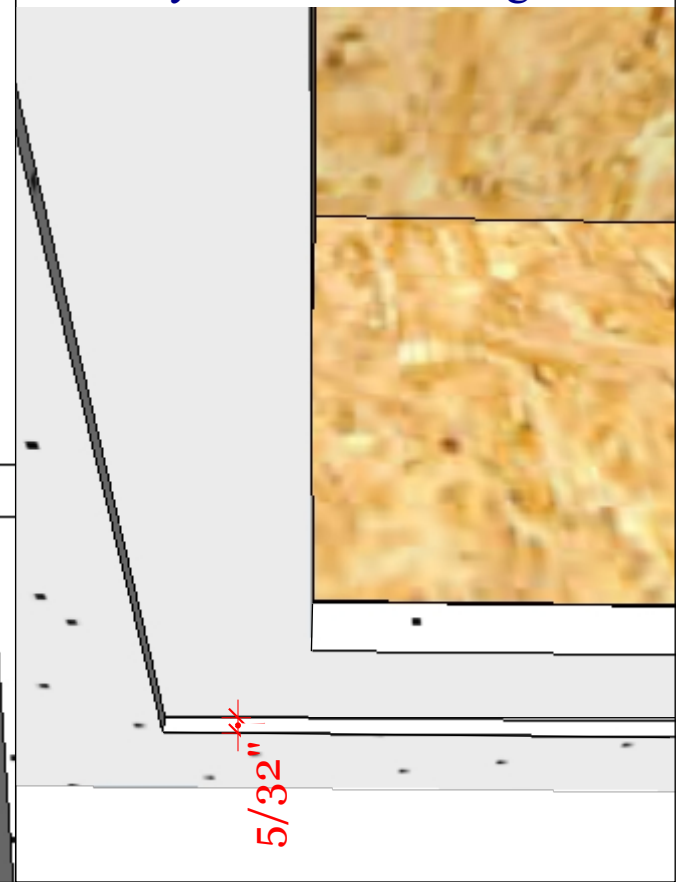
Option 1. Surface Mount



Option 2. Drywall Short

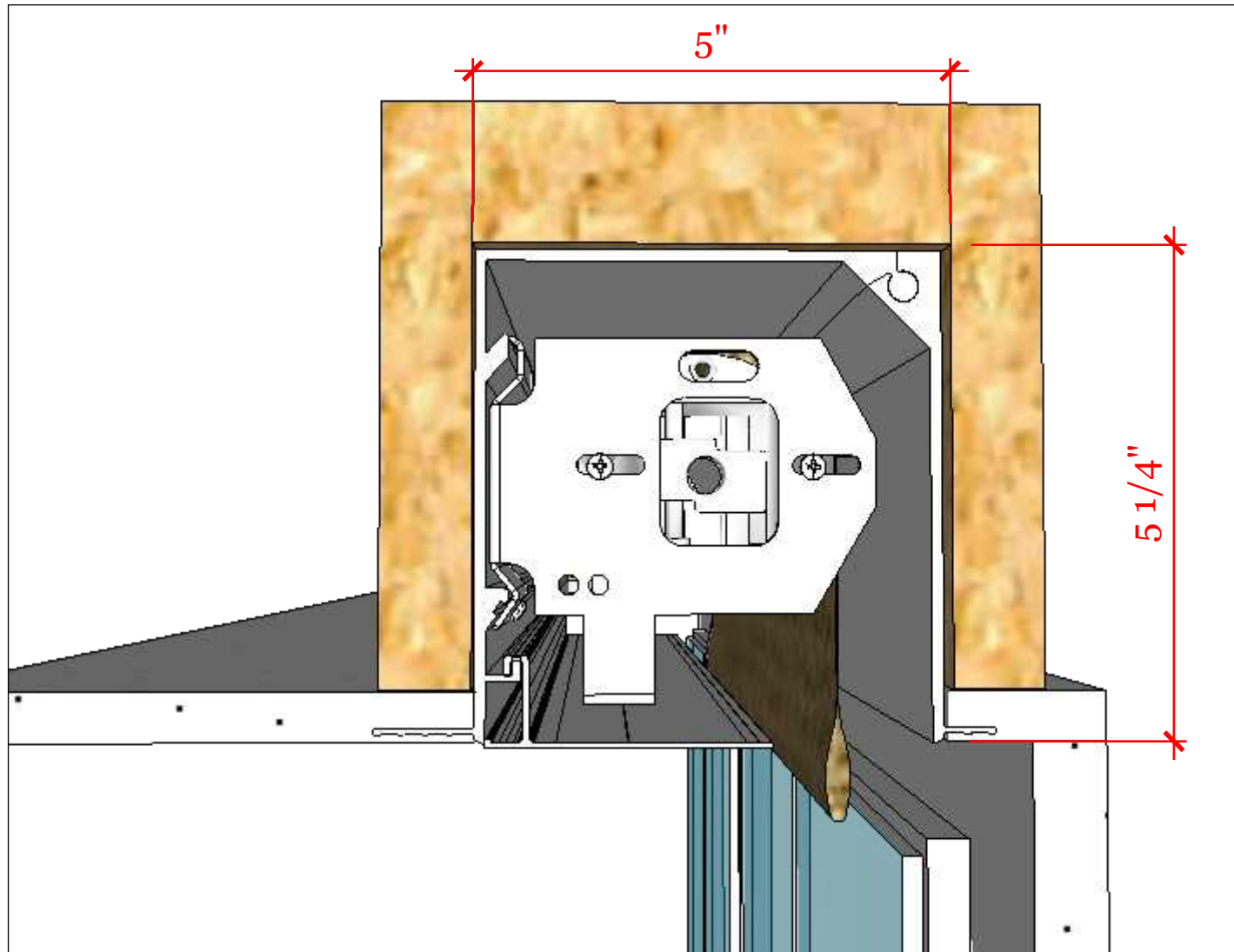


Option 3. Thinning drywall at mud flanges.



Step 2. Minimum Cavity Dimensions

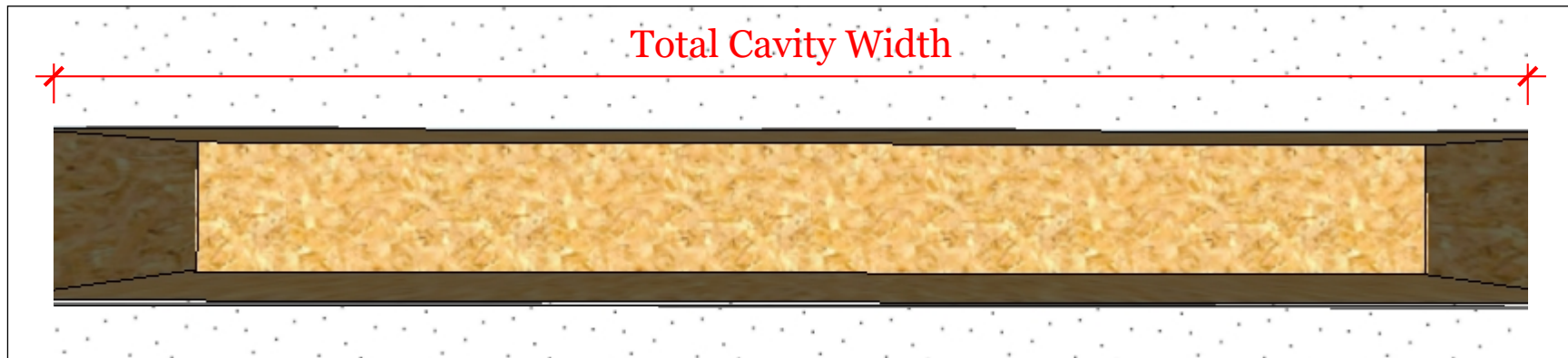
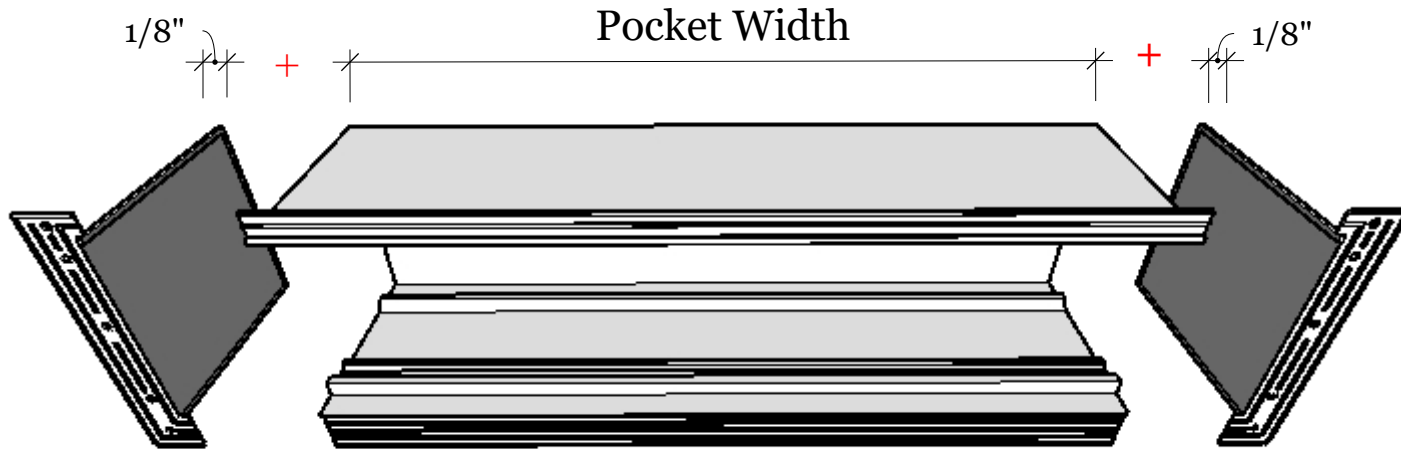
Construct the framing cavity wide and tall enough to accept the Mud in Pocket.



Step 3. Determine Your Cavity Width

The minimum cavity width is the bracket to bracket shade width, plus the end caps.

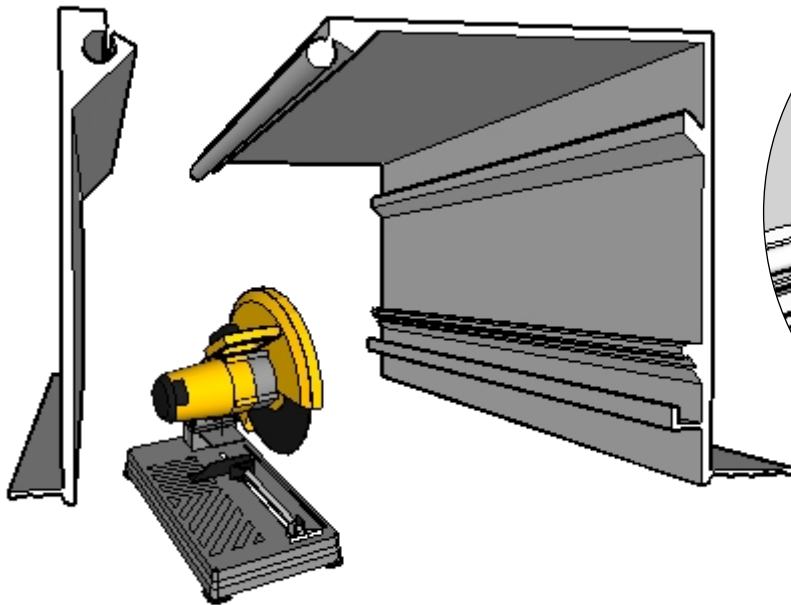
Note - It is recommended that an additional 1/2" (1/4" per side) is added to allow the pocket to fit in out of square cavities.



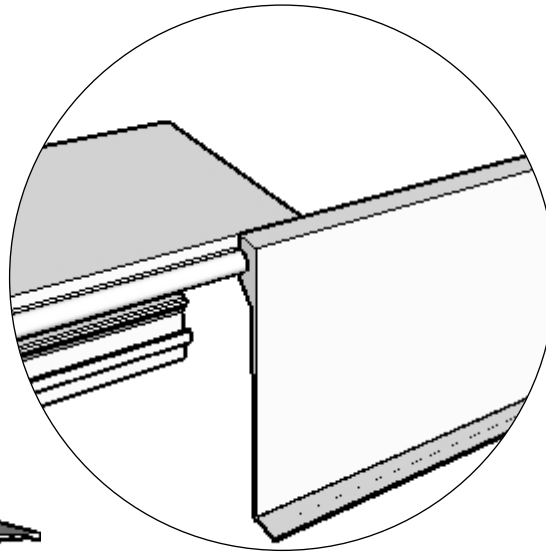
Step 4. Cut the Mud in Pocket

Mud in Pocket was designed modular so that it can be easily cut and trimmed using a standard miter saw. Cut the width of the Mud in Pocket to size, taking in account the thickness of the end caps. After the pocket is cut to size, connect the two parts together by sliding in from either end.

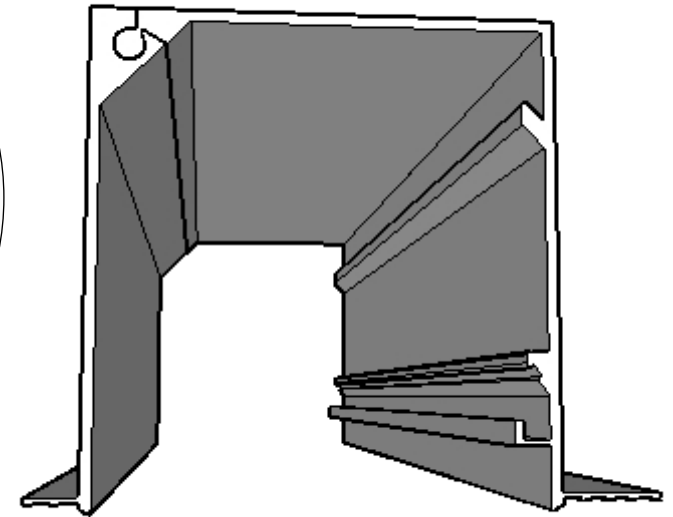
1. Cut



2. Connect

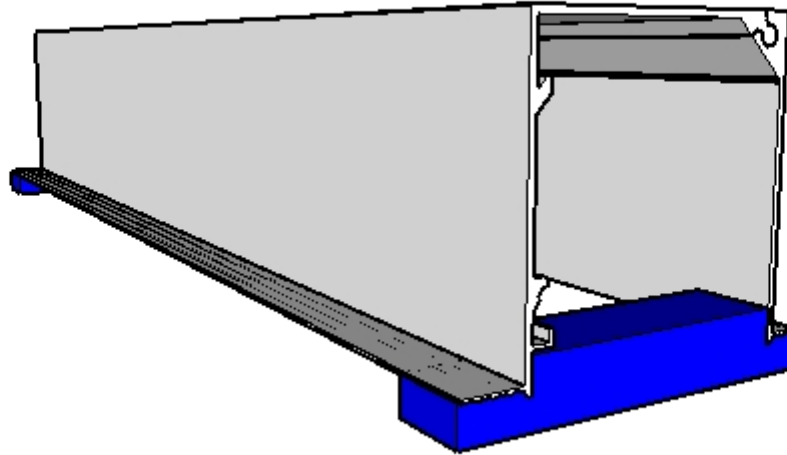


3. Assembled

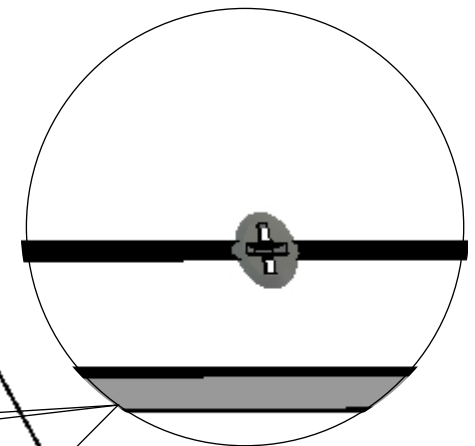
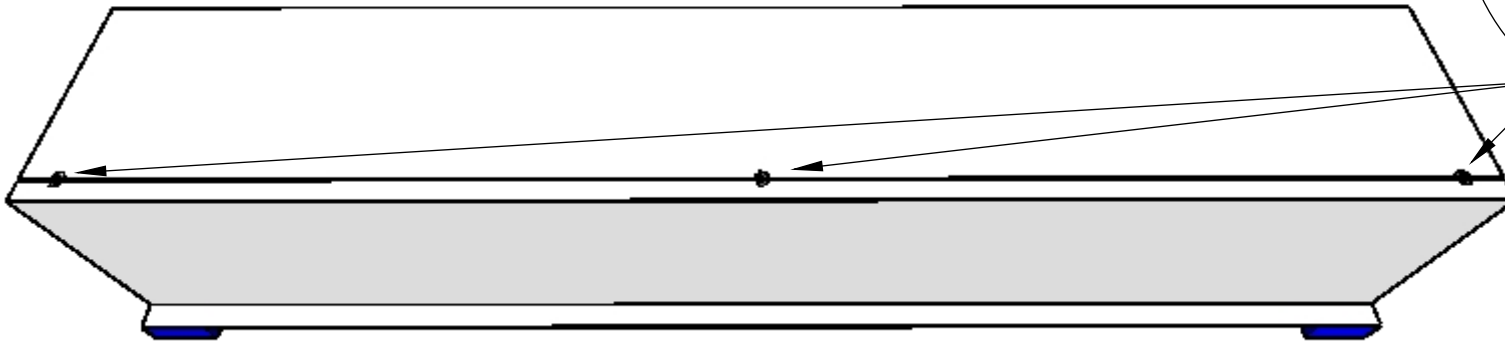


Step 5. Assemble Pocket

1. Turn the pocket over on two Spacing Caps



2. At the horizontal seam line, install three #6 3/4" long screws (provided) spaced at 6" from each end and one in the center. **PRE-DRILL THE HOLES.** It is recommended that the screws be countersunk so that the heads do not interfere with the top of the cavity if your cavity is tight.



Step 6. Anchor the Pocket

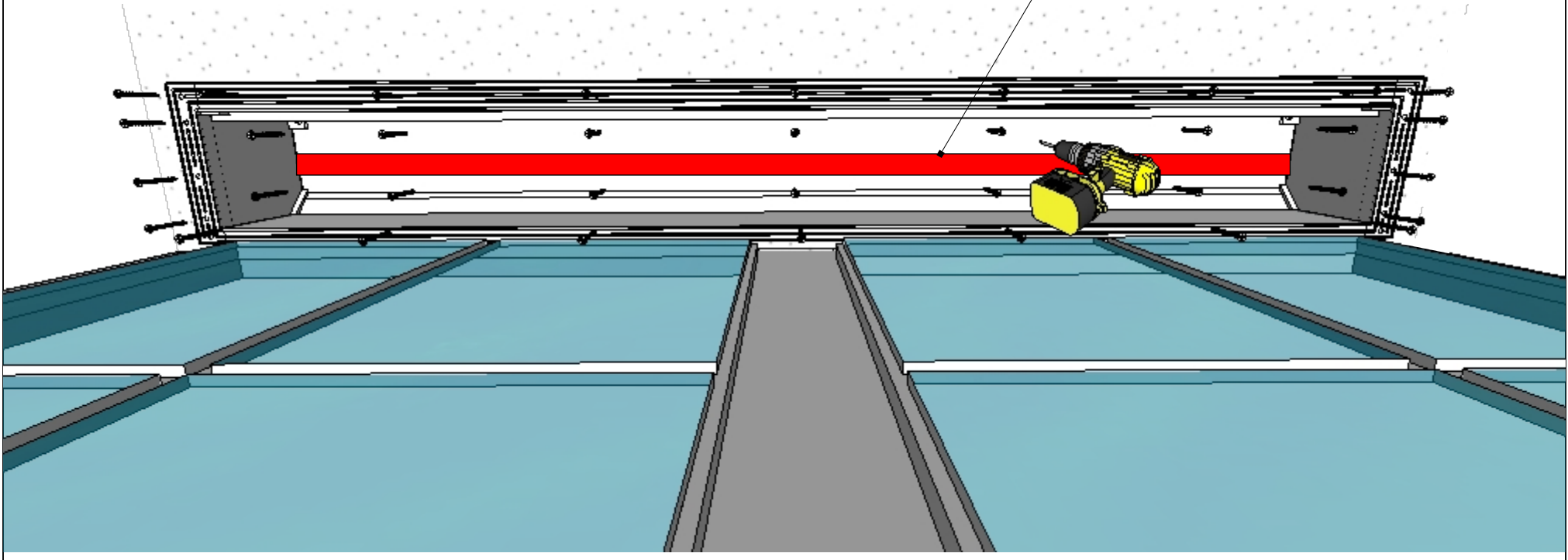
Place the Mud in Pocket assembly into the prepared cavity.

Countersink and install screw anchors into blocking at the flanges and top surface of the Mud in Pocket.

Slide in the End Caps (if used). Install screws into blocking at the End Cap flanges.

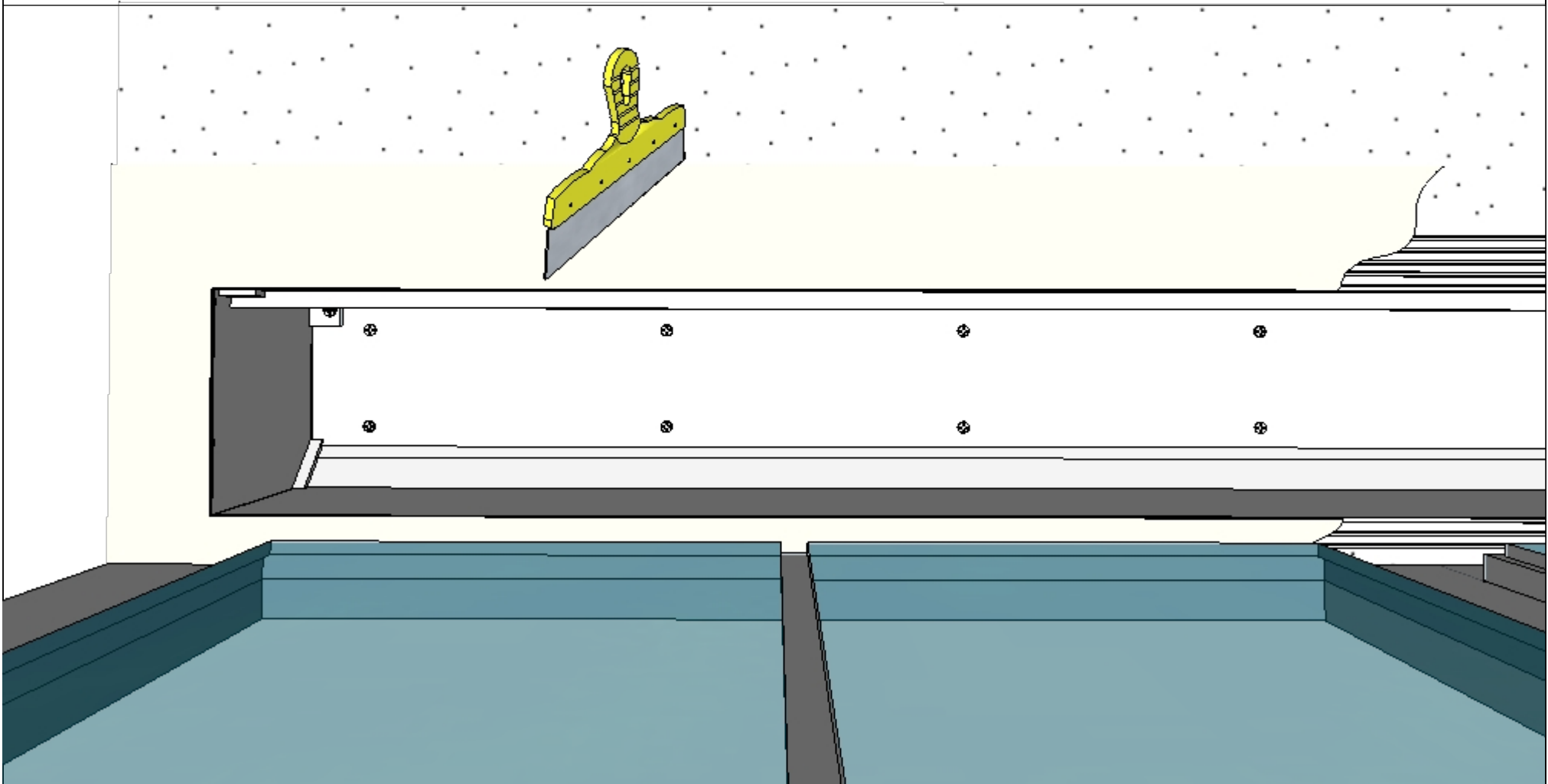
Note: Do not over tighten the screws on the end cap flanges to avoid curving of the plastic.

Avoid using anchors in the center 2" area of the pocket to ensure the fabric will not make contact with a screw head.



Step 7. Mud The Flanges

Mud over the flanges using the appropriate size trowel (10" recommended).
Sand and paint the ceiling surface and the entire assembly.

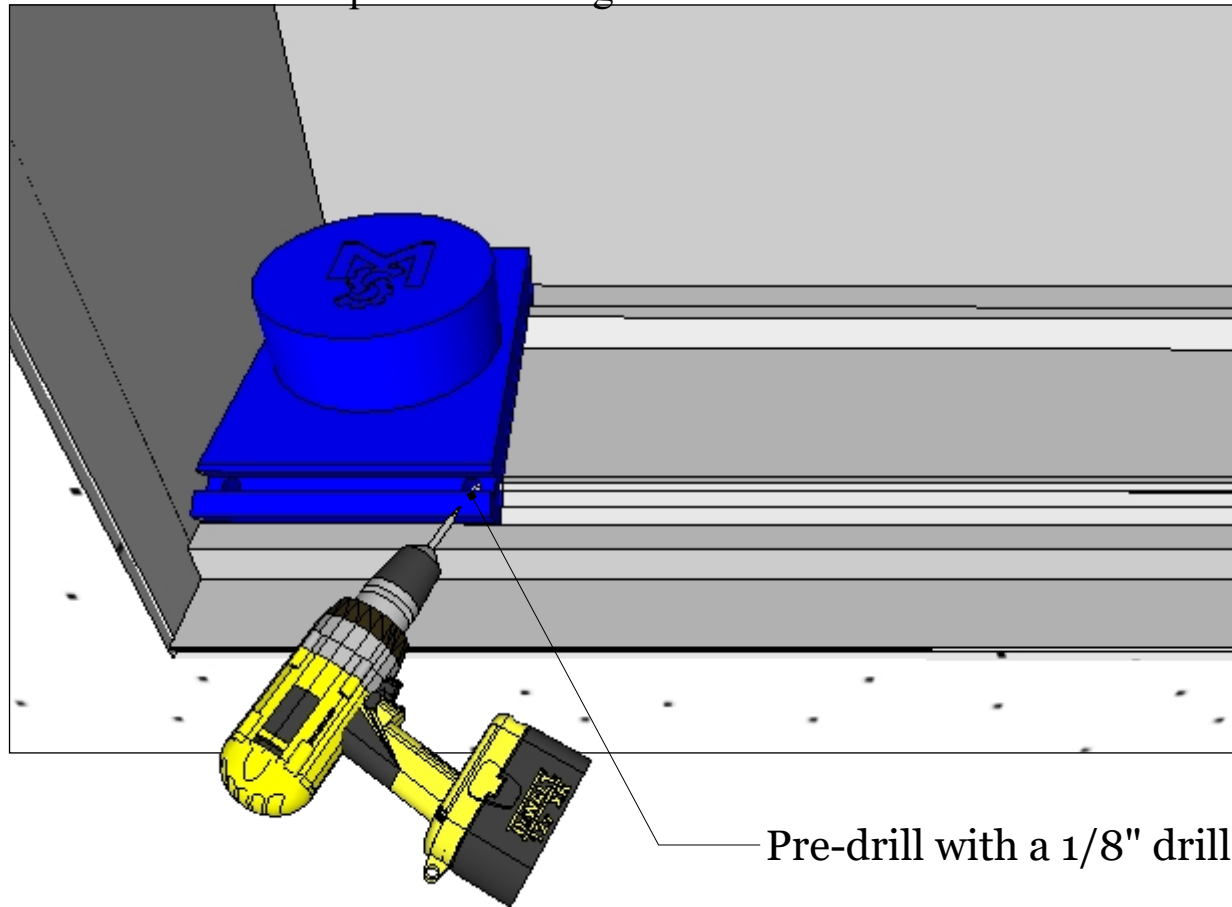


Step 8A. Install The Shade

Use the Perfect Fit Drilling Guide or Lutron bracket to mark the position of the shade set screw. Drill a hole using a 1/8" drill bit. If not using the Perfect Fit Drilling Guide, take caution to drill the hole following the angle of the slot.

Caution - TO AVOID DAMAGING THE BRACKET THREADS DO NOT DRILL THROUGH THE LUTORN BRACKET.

Optional Drilling Guide Shown

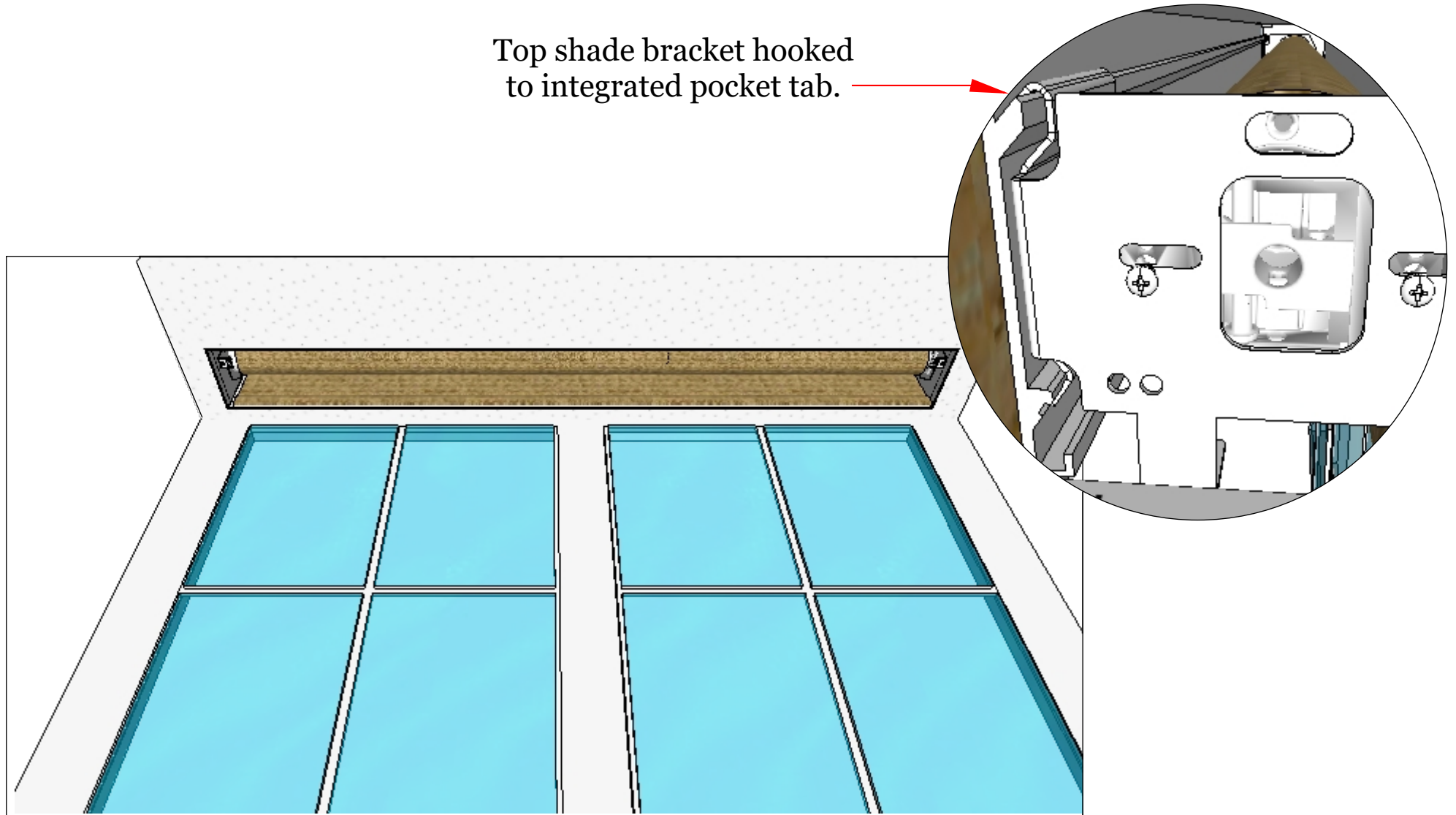


Pre-drill with a 1/8" drill bit.

Step 8B. Install The Shade

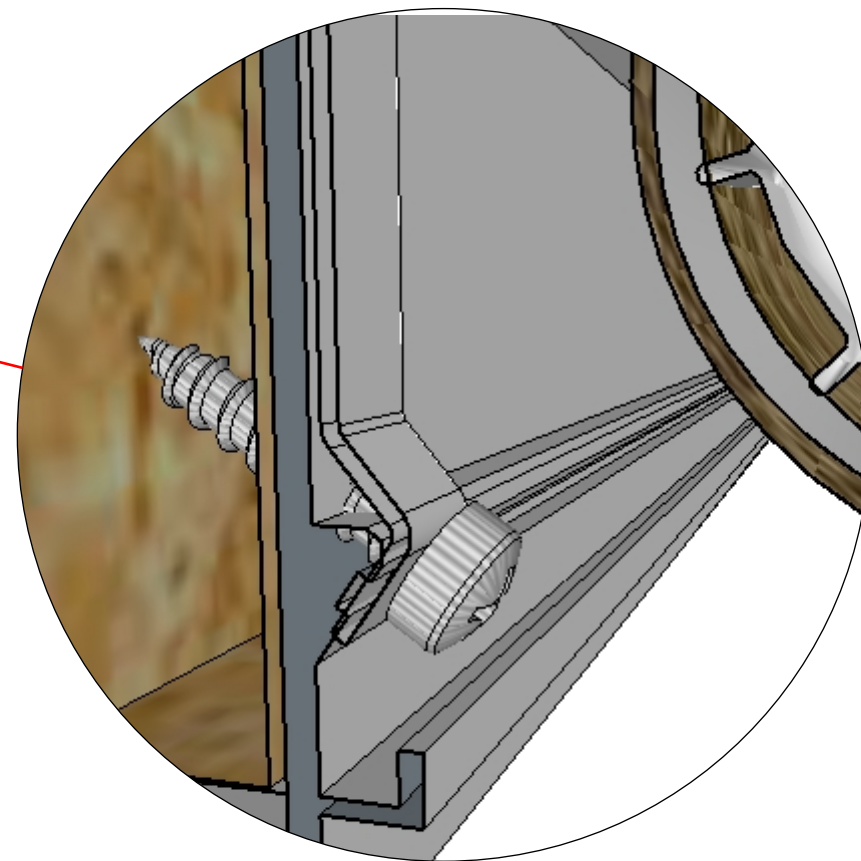
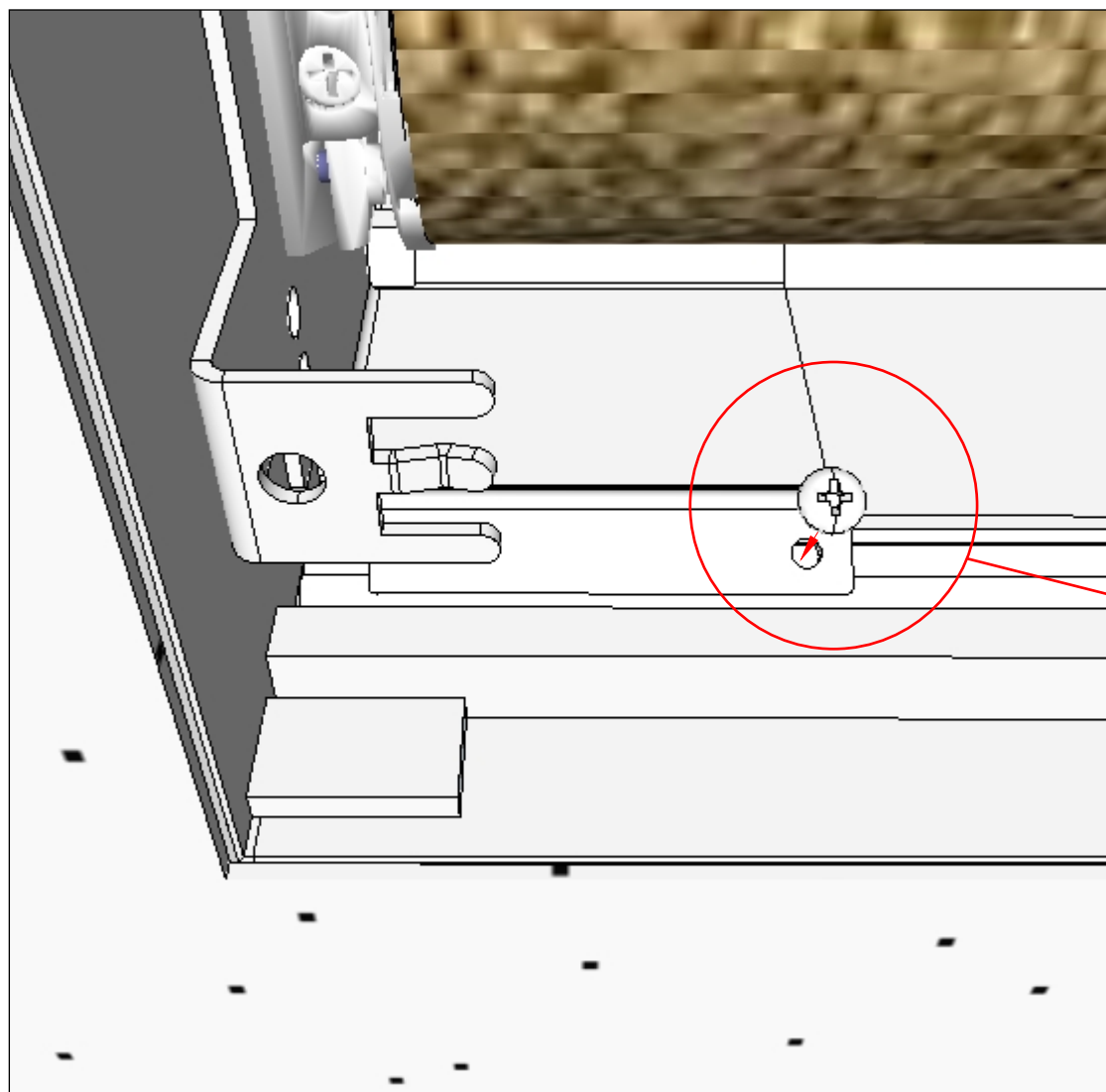
Install the shade by connecting the top shade bracket hook to the integrated top tab of Mud in Pocket.

Top shade bracket hooked
to integrated pocket tab.



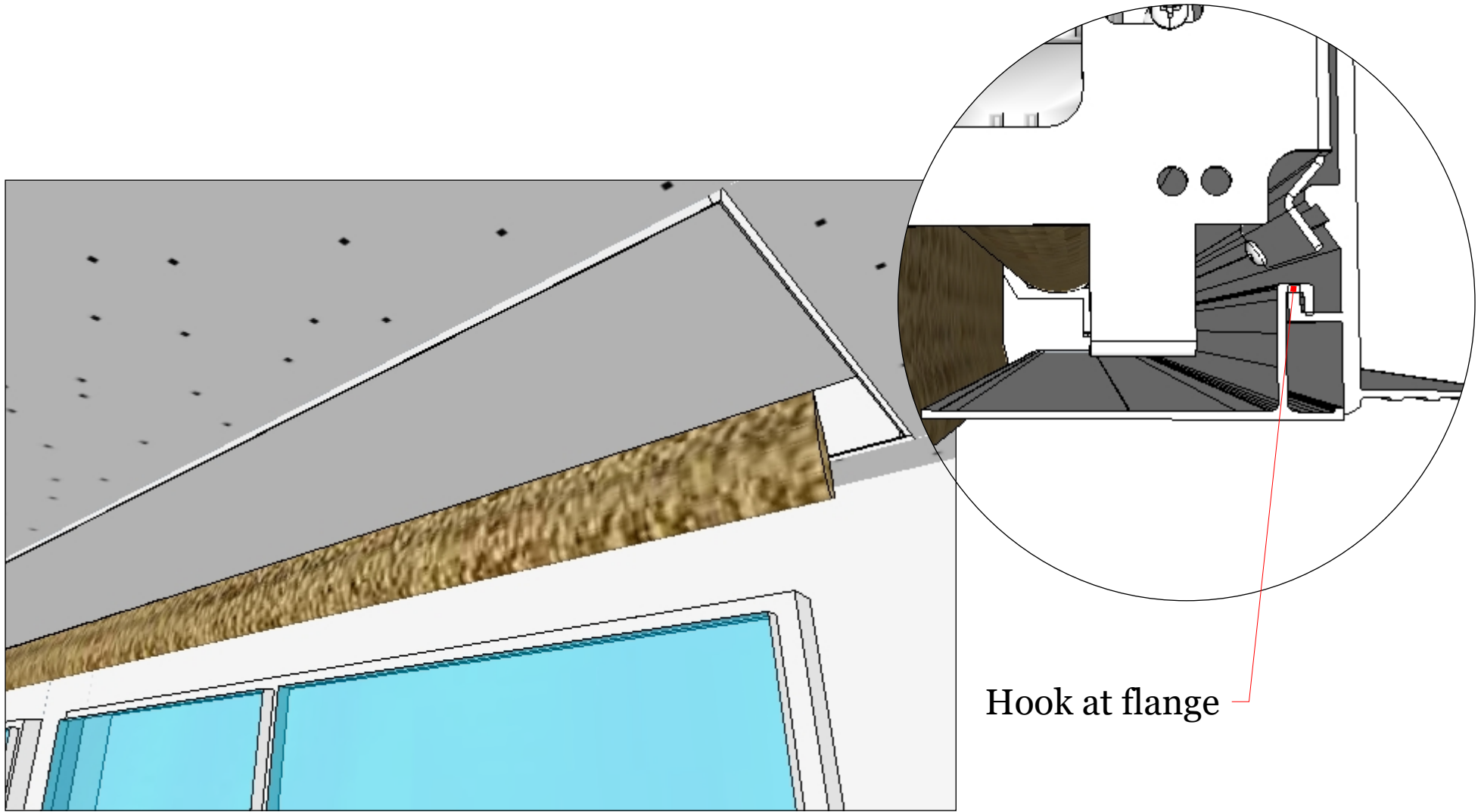
Step 9. Lock in The Shade

Install the Lutron set screw (or a #6 3/8" screw) in the Lutron bracket and hole you pre-drilled in the pocket.



Step 10. Install The Flap

Connect the flap by interlocking the top flange and tilting down.



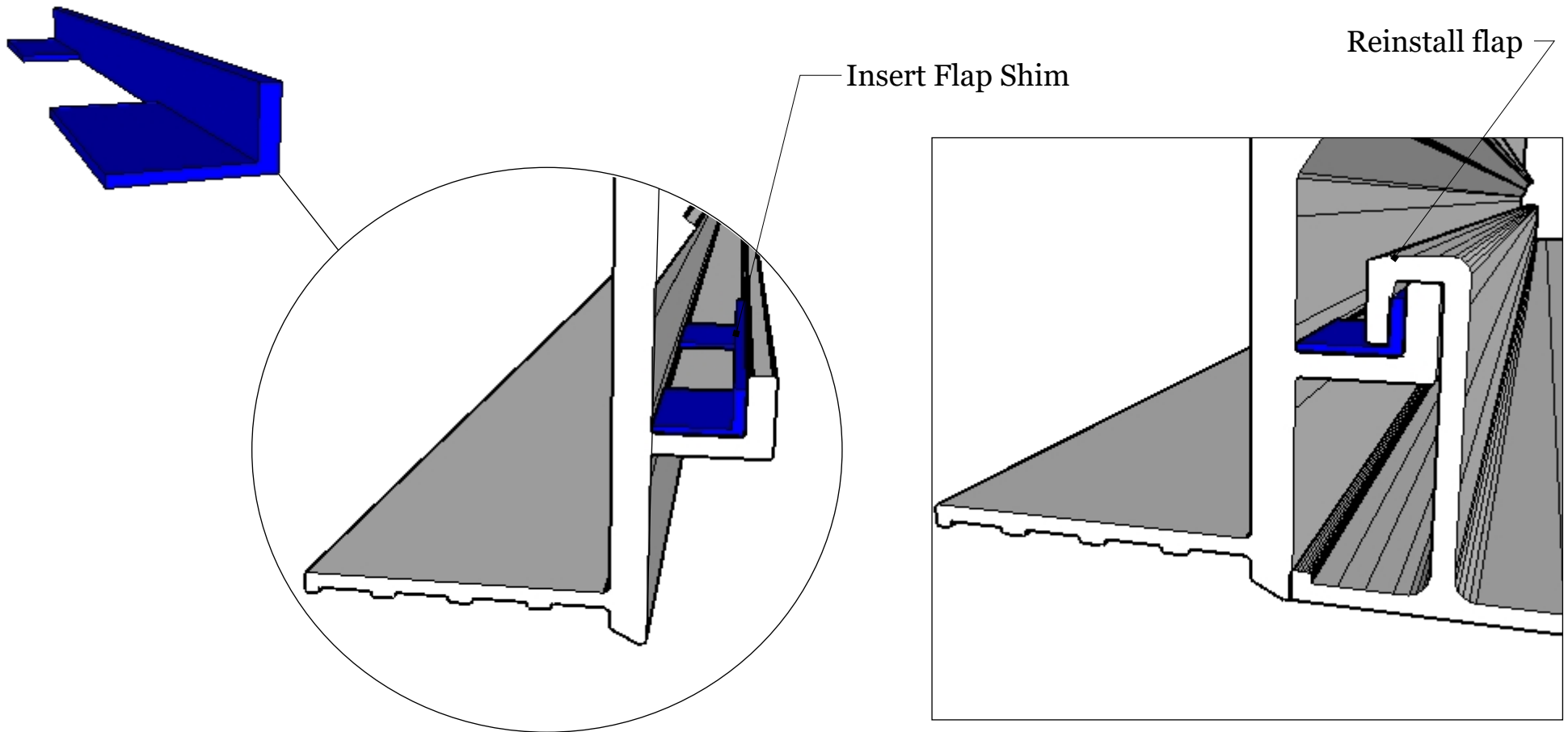
Hook at flange

Step 11. Level The Flap (if required)

The Mud in Pocket was designed to allow 1/16" of paint thickness and mud to overlap the inside of the pocket. The thickness of the overlap will affect the angle of the flap.

To fine tune the angle of the flap, use the provided Flap Shims.

Insert the Flap Shims at each end of the pocket flap hanger as needed to level the flap.



PerfectFit Programming Guides

Please scan the QR code or click the link below to be forwarded to the programming guides for instructions on how to set the upper and lower limits, assigning controls, etc.



Use the QR code above to access the instruction guide from a smart device.

[Click Here](#)

Use the link above to access the instruction guide from an electronic device.